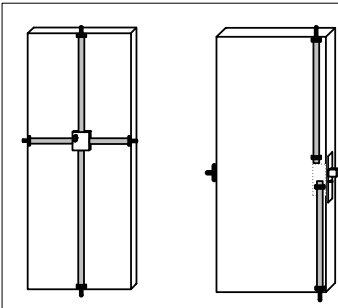


Current templates are available at www.securitech.com



SURFACE-MOUNTED LOCKS

- **4800 & 4900 Models**
No Factory Prep Required For Lock Or Frame
- **5000 Or 8000 Locks With "SBO" (Surface Bolt Option)**
Standard ANSI Lock Prep (1-1/4" X 8")
Standard ANSI Strike Prep (4-7/8")
For All 8000 Locks And 5000 Locks With Primary Bolt

5000 & 8000 SERIES

Non-Prepared Vertically Stiffened Hollow Metal Doors

Elevated Edge Plates Fit Within U-channel. Holes For Vertical Deadbolts May Be Field Drilled. Elevated Edge Plates Are Pop-Riveted Within Channel.



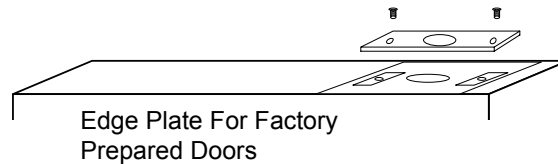
Elevated Edge Plate Fits Into U-Channel.
Factory Prep Not Required For Vertical Bolts If The Door Has U-Channels

OR

OR

Top & Bottom Sealed Caps On Hollow Metal Doors

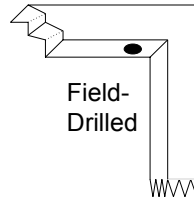
Standard Edge Plate (1-1/8" X 2-1/4") Preparation Required At Proper Backsets



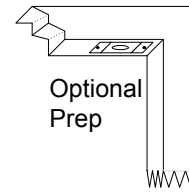
Edge Plate For Factory Prepared Doors

Top Frame Prep

None Required. Hole May Be Field Drilled. Optional Strike Prep: 1-1/8 X 2-3/4" At Appropriate Backset

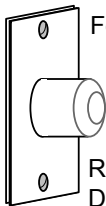


Field-Drilled



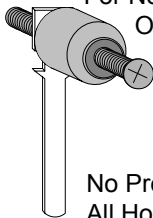
Optional Prep

For Prepared Doors Or Wood Doors



Requires Door Prep: 1-1/8" X 2-1/4" (For Edge Plate With Bolt) and Frame Prep: 1-1/8" X 2-3/4" (For Strike Plate)

For Non-Prepared Doors Or Wood Doors



No Prep Required. All Holes Are Field Drilled (See Photo)

HINGE SIDE STATIONARY BOLTS FOR INTERNALLY MOUNTED LOCKS

Hinge side bolts are not connected to the lock mechanism. The door swings away from the frame. The bolt does not have to retract as it is moved out of the frame by the door movement.

