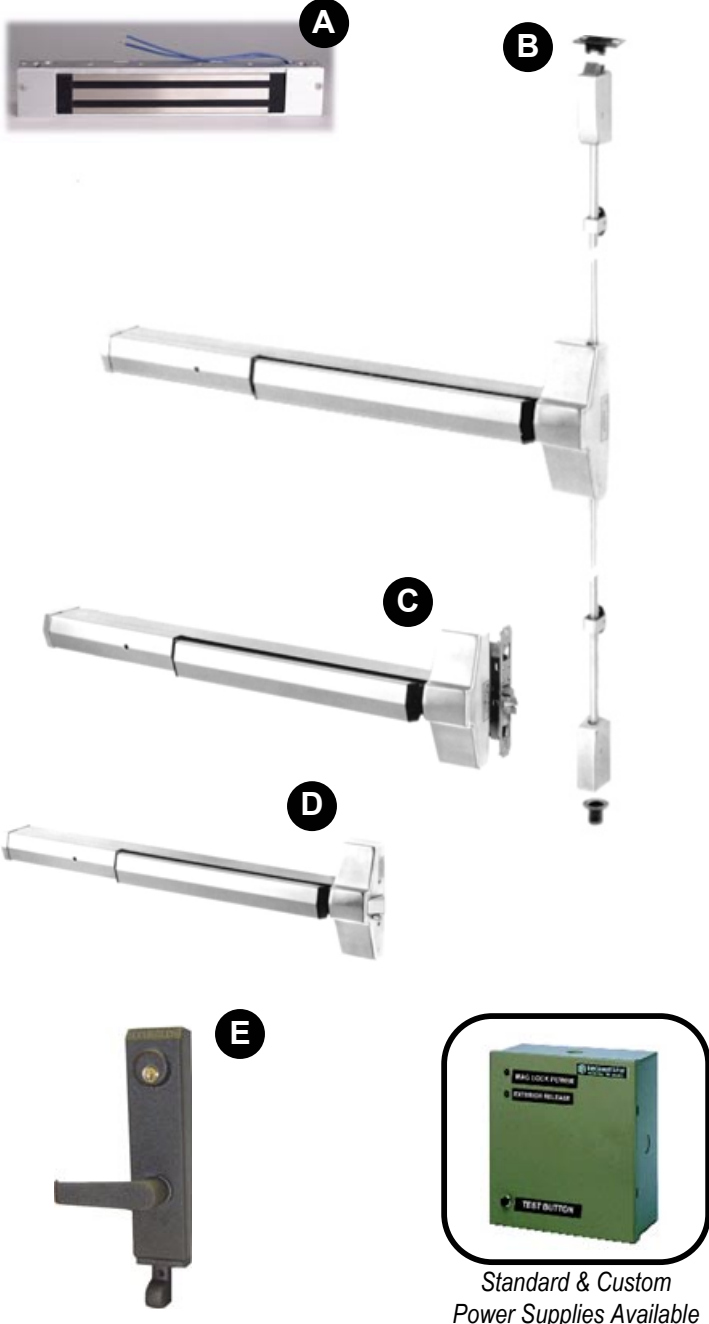


Customized For New York City Housing Authority

MAGLATCH EXIT DEVICE CUSTOM MODELS

Special Features To Meet Specific Situations



- Mortise & Surface-Vertical Rod Devices For Apartment Buildings, Community Centers & Other Locations
- Special Releases, Power Supplies And Control Panels To Meet Operating Needs
- Stainless Steel Panic Bars
- Vandal-Resistant Exterior Lever Trim (UG Style) With Internal Electric Release
- 1,200 Lb. Holding Force Electromagnetic Lock
- Field Sizeable
- UL Listed
- Thru-Bolted Exterior Trim
- Stainless Steel Exterior Lever Handle
- Independent Magnet Cut-Off Switches In Pushbar & Exterior Trim
- Hardened Steel Cylinder Protector
- Black Powder Coat Exterior Trim Finish
- Optional Cylinder Dogging On Pushbars

Most Popular Models

Model #	Elements	Exit Type	Exterior
9375-HA	A+C+E	mortise	key & electric release
9371-HA	A+C	mortise	none - exit only
9382-HA	A+B+E	vertical rod	key & electric release
9381-HA	A+B	vertical rod	none - exit only



Standard & Custom Power Supplies Available

Exit Device Door & Frame Preparation:

- 9381, 9382: NONE REQUIRED
- 9375, 9371: ANSI MORTISE LOCK PREP & STRIKE PREP
- CENTER MULLION (MIN 2" WIDTH) REQUIRED FOR PAIR OF DOORS WITH 9375 & 9371
- ELECTROMAGNETIC LOCK WIRING PREP REQUIRED
- A CHANNEL TO PROTECT THE MAGNET IS REQUIRED AS PER SEPARATE SPECIFICATION

Cylinders:

MORTISE CYLINDERS (CLOVERLEAF CAM) REQUIRED FOR 9382 & 9375.

Power Transfer:

POWER IS REQUIRED IN THE FRAME AND DOOR. ELECTRIFIED HINGE IS REQUIRED.

Power Supplies:

single door:
PS-105 or PC-110
double door:
PS-105-2M1B or
PC-110-2M1B

made in u.s.a. j:\111 binder 2001\2B37 CAT NYCHA EXIT DEVICES v2.vsd\page-1las of 1/25/02