

Model Number Creator

Panic Bar					Exterior Trim & Specials					Swing
Series, Exit Type	Device Width	Fire-Rated	Interior Switch Choices	Wiring Method	Trim Style	Key & Trim Function	Electric Or Mechanical Release	Exterior Switch Choices	Maglock & Specials	Swing
931	A	F	2	I	U	S	A	2	E	L
941	B		3	L	G	C	D	3	B	R
932	C		5	T	X	P	R	5	Q	
942			0			D	M	0	Y	(L=LHR) (R=RHR)
934						K			-	
944						X			Z	
935										
936										

Sample Model Number:
934AF5T-GSD2E-L

Breakdown:

Panic Bar	Trim & Specials
Rim device	GG-style
36" door	Single entry
Fire-rated	DC release
R-T-E switch	Mag switch
Mag switch	Electromagnet
Transfer cable	Swing
	LHR

Standard Finish Information:	Panic Bar	Ext Trim Style	Ext. Trim
	630	UG	676
	630	GG	630
	630	LR	676
	630	XX	none

Other panic bar and trim finishes are available: please contact the factory

Electric release does not require special high in-rush power supply

See Electrolatch or Maglatch catalog cuts for full electrical and cut-off switch information

Device Widths

Designation	Opening Width
-A-	30" - 36"
-B-	36-1/2" - 48"
-C-	24" - 30"

Switch Choices

- 0** No switches
- 2** N.C. Switch (mag release)
- 3** N.O or N.C. (Request-To-Exit)
- 5** 2 switches - one type "2" and one type "3" switch

Wiring Methods

All models feature cross-over connector from exterior trim to panic bar. Incoming wires are connected at the hinge edge of the door.

- I** Internal: Panic Bar & Exterior Trim wires exit at rear of panic bar into door.
- L** Long lead wires (5') on internal method

Power transfer required for "I" & "L"

- T** Transfer Cable: Vandal-resistant armored cable from rear of panic bar with all wires


Trim Styles


U

- UG**
- Heavy-Duty
- Slip-Clutch vandal-resistant lever
- Optional electric release & magnetic lock control



G

- GG**
- Narrow-stile, aesthetic design
- UG features and options



X

- XX**
- No exterior trim

See "Trim Styles" catalog in electric locking section for full trim features, details, sizes and options

Key & Trim Functions

- S** Standard (Single Entry By Key)
- C** Classroom
- P** Passage
- D** Dummy
- K** Key Usage Switch (Single Entry Function)
- X** Access Control Cut-Off Switch (Single Entry Function)

Electric Release Options

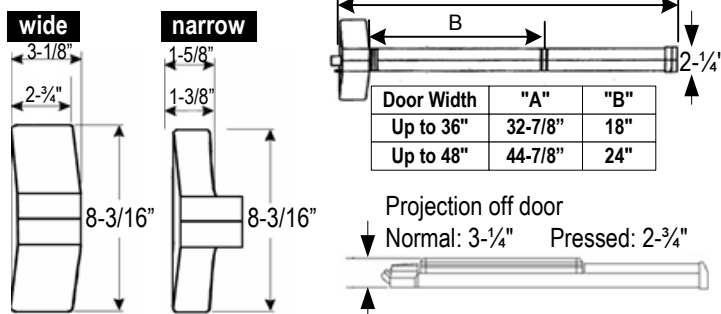
- A** AC (24vAC, 30va)
- D** DC (24vDC, low 1/4 amp draw)
- R** Re-Entry (Fail-Safe exterior lever) DC solenoid (info as above)
- M** Mechanical only (no electric)

Electromagnetic Lock


- E** Electromagnetic Lock furnished (Invisalock # IL1002)
- B** With bond sensor
- Q** With door status switch
- Y** With bond sensor & status switch

Latch Position Switch

- Z** Provides signal on latch status

Dimension Info

Contact Factory With Special Function Or Feature Requests
Strike Info For Vertical Rods
(included with model)

Top:	#STR931T
Floor:	#STR931F
Special Order	
Floor Strike	
With Edge Plate	#STR931P

Strike Info For Rim Devices
(included with model)

Standard:	#STR934
Fire-Rated:	#STR934F
Special Order	
Double Door	
(Not Fire-Rated)	#STR934D