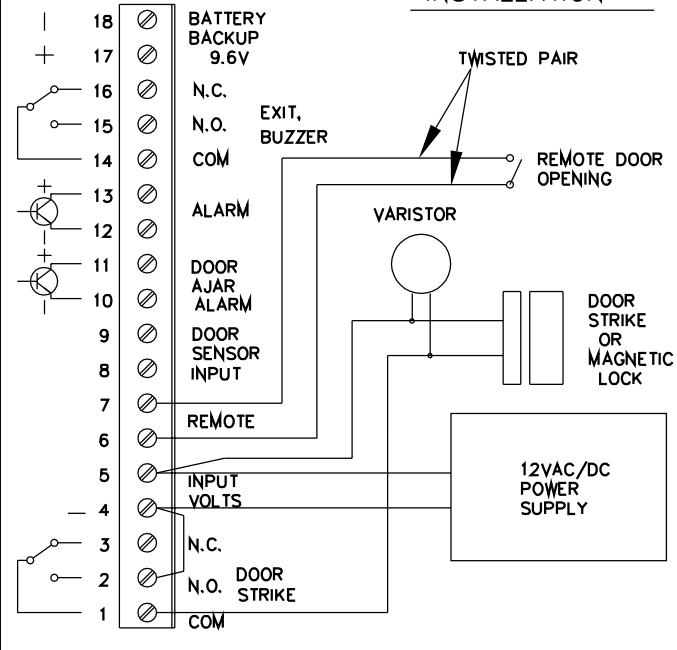


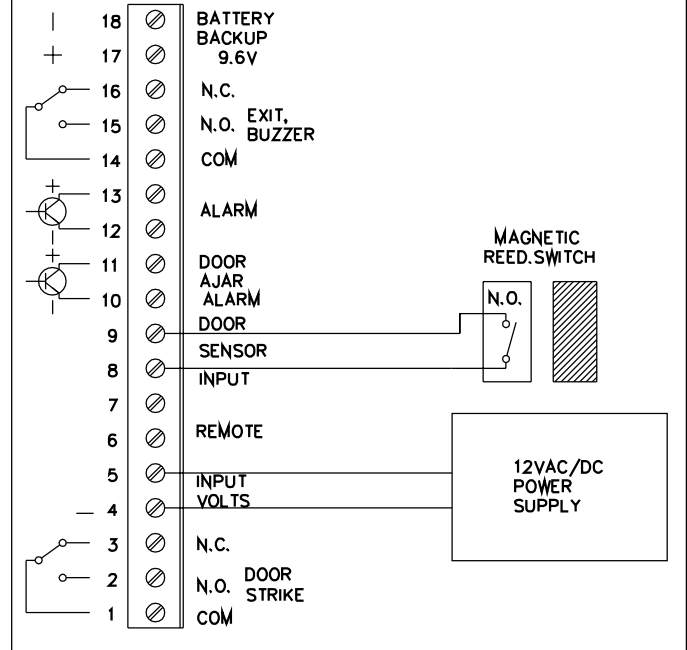
Rev.No	Revision note	Date	Signature	Checked

ELECTRICAL INSTALLATION RECOMENDATIONS FOR TIM1 INTERFACE

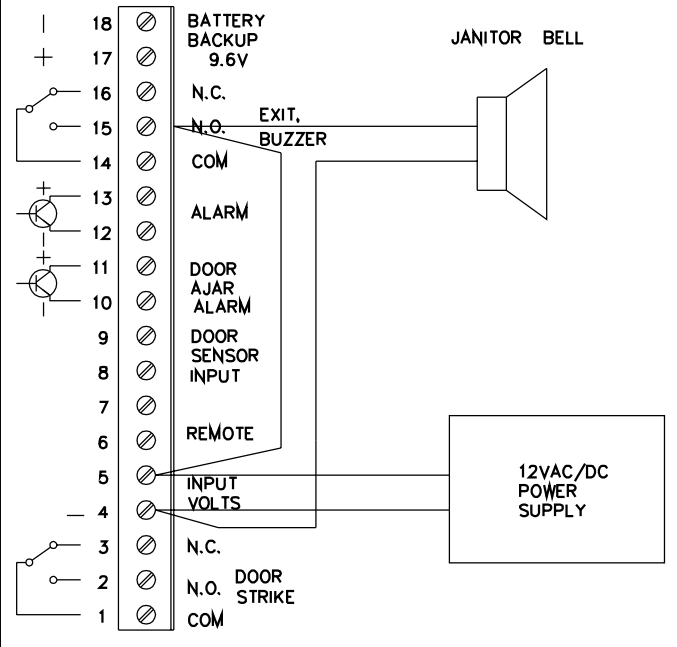
ELECTRICAL DOOR LOCK TYPICAL INSTALLATION



DOOR AJAR SENSOR WIRING



TYPICAL JANITOR BELL WIRING



TYPICAL AUXILIARY RELAY WIRING

