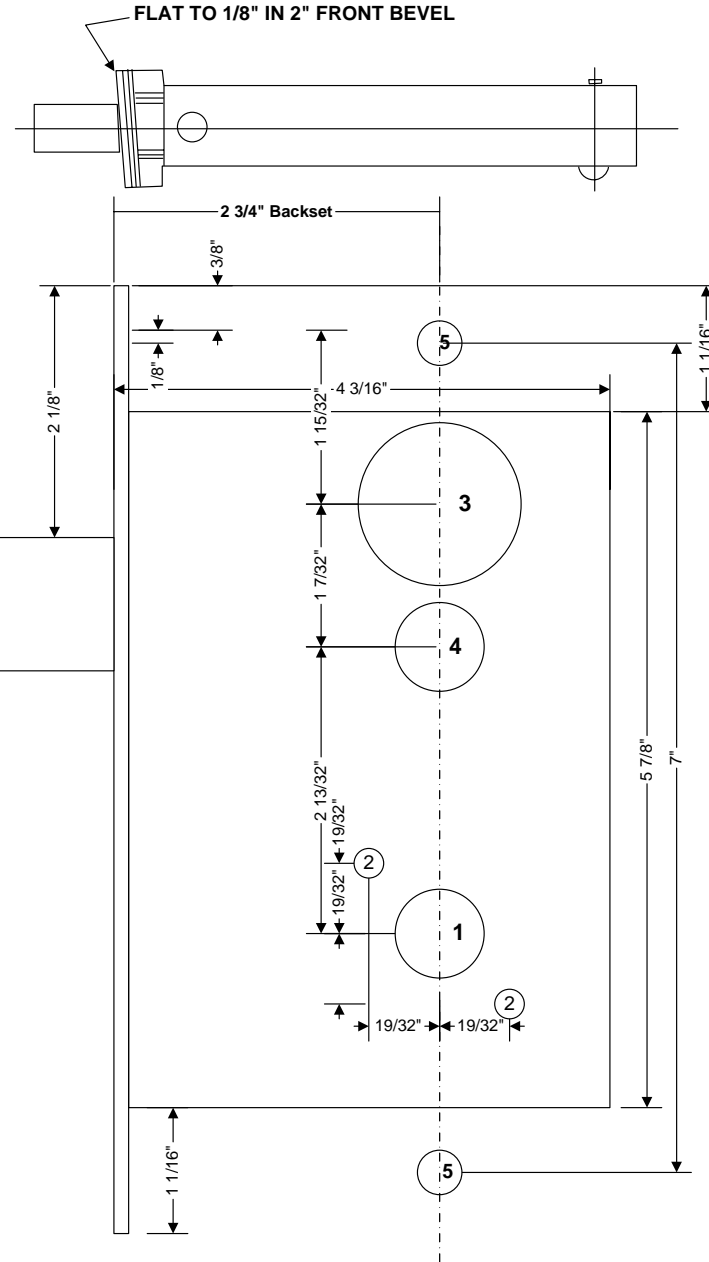
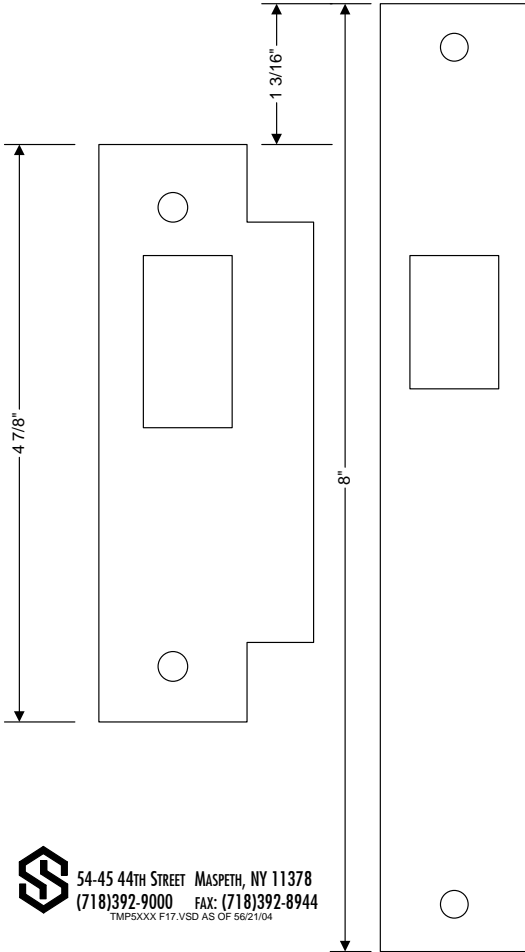


Hole Number: Hole Size (dia.)

- 1) Knob / Lever 1"
- 3) Outside Cylinder 1-3/8"
- 4) Thumbturn 3/4"

Notes:

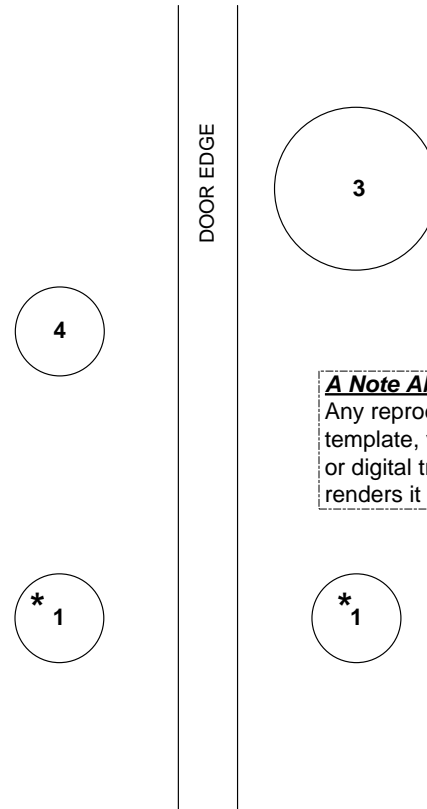
1) For Top & bottom rods holes see template #5XXXDB



SECURITECH™
 TEMPLATE #5XXXF17
 FOR USE WITH MODEL # 5XXX
 FUNCTIONS: F17

INTERIOR

EXTERIOR



A Note About Templates:
 Any reproduction of this template, via fax, photocopy or digital transmission, renders it **Not To Scale.**

* NOTE: If trim is not used DO NOT DRILL the two #1 holes